



Automatic & Manual Dispensers

Hand Sanitizer and Soap

Durable and easy to use, Safetec offers wall-mounted Manual and Automatic Dispensers for hand sanitizer and soap*. Designed for high-traffic areas, they hold 800 mL of the preferred liquid and feature large front-facing windows to monitor product levels. The universal designs ensure quick refills, making them a reliable option for maintaining accessible hand hygiene in any setting.

The Automatic Dispenser is compatible with Safetec’s 800 mL Hand Sanitizer Bag-in-Box Automatic Refills. The dispenser can be accessorized with a durable drip tray to keep floors and countertops clean.

The Manual Dispenser is compatible with Safetec’s 800 mL Hand Sanitizer Bag-in-Box Manual Refills as well as any 800 mL soap Bag-in-Box manual refills.

Ideal for use in:

- Airports
- Government Agencies
- Hospitals
- Labs
- Long-Term Care Facilities
- Pharmacies
- Physicians Office
- Public Spaces
- Retail Stores
- Schools

KILL GERMS INSTANTLY

With Aloe Vera - For Moisturizing Skin

Effective Against Bacteria, Viruses, & Fungi



*Soap can only be used in Manual Dispensers.
800 mL SaniWash® Bag-in-Box available for private label.

Dispenser Configurations

Automatic

Order No.	Size	Product Type	Carton	Case Qty.	Case Wt.
27508	800 mL	Automatic Dispenser	-	12/case	24 lbs.
2510122	-	Automatic Drip Tray	-	1 each	0.22 lbs.
17369	800 mL	Bag-in-Box Auto Refill	-	12/case	19 lbs.



Manual

Order No.	Size	Product Type	Carton	Case Qty.	Case Wt.
27500	800 mL	Manual Dispenser	-	12/case	16 lbs.
17360	800 mL	Bag-in-Box Manual Refil	-	12/case	23 lbs.

**Manual dispenser can also accommodate soap.*



Instant Hand Sanitizer

Safetec's **Instant Hand Sanitizer** is the **ultimate defense against germs**, providing efficient protection on the go or in the office. **It fights off 99.9% of germs with a 65.5% alcohol content**, which meets more than the minimum required percentage to be effective in reducing the number of bacteria on the skin, per the CDC.



**Eliminates
99.9% of Germs**



**Contains Aloe Vera
for Moisturizing**



OSHA Compliance 1910.1030 – Bloodborne Pathogens Standard

Safetec's Instant Hand Sanitizer meets OSHA Bloodborne Pathogens Standard 1910.1030.



ANSI Minimum Requirements for Workplace First Aid Kits & Supplies Z308.1-2021 Standard

Safetec's Instant Hand Sanitizer also meets the ANSI/ISEA Z308.1-2021 Standard, which establishes minimum performance requirements for first aid kits and their supplies that are intended for use in various work environments.



**No Sticky
Residue**



**Manufactured
in the U.S.A.**



Safetec's Instant Hand Sanitizer contains 66.5% ethyl alcohol.

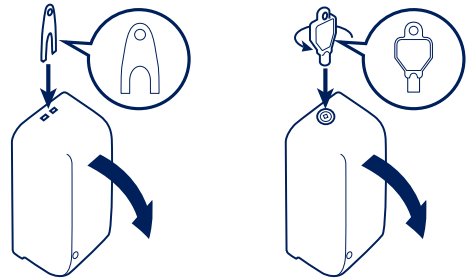
If soap and water are not available, the CDC recommends consumers use an alcohol-based hand sanitizer that contains at least 60% ethanol.

Page 2
Rev 25.08

Automatic Dispenser - Instructions

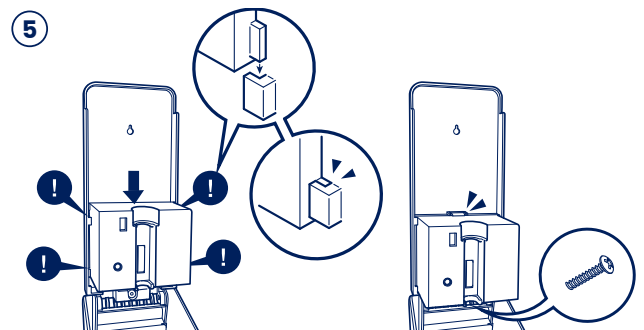
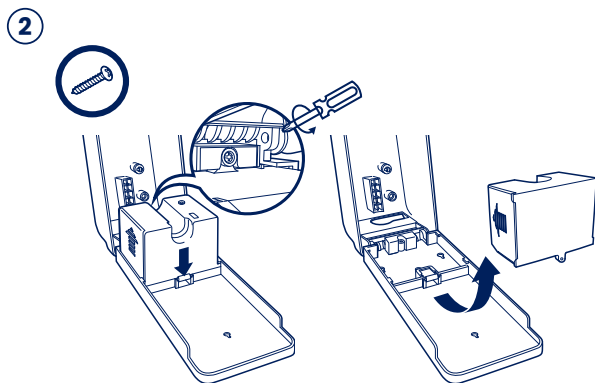
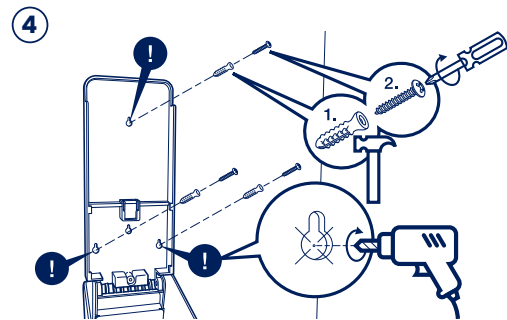
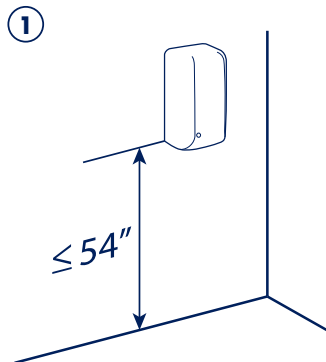
Opening Instructions

1. Use provided key to press down at top of front cover where key lock is located. Grab the dispenser cover from the top and pull toward you. Cover is hinged at bottom.



Screw Mounting Instructions

1. Hold dispenser against wall in desired location. The recommended height is less than or equal to 54 inches from the floor.
2. Open cover and remove battery pack to allow access to screw holes.
3. Mark screw hole location on wall.
4. Install provided anchors into drywall and secure dispenser with provided screws.
5. Reattach the battery into the dispenser.

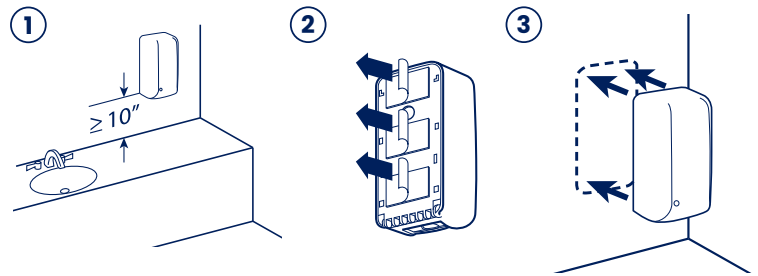


Automatic Dispenser – Instructions Continued

Tape Mounting Instructions

1. Only recommended for mirrors or other similar flat surfaces at a height of 10 or more inches from counter.
2. Remove backing from tape.
3. Press firmly against mounting surface for 10 seconds. Open cover and press directly on back plate for additional 10 seconds.

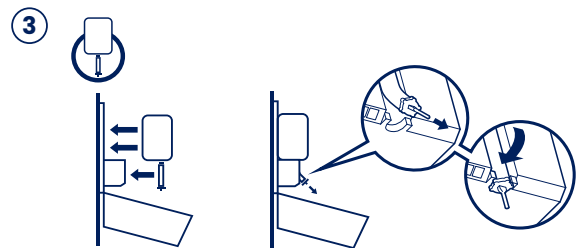
Allow 1 hour before loading unit.



Refill Instructions

1. Press finger into perforated area and remove key-hole perforated shaped area.
2. Locate nozzle and pull down through bottom of the box.
3. Place cartridge on dispenser platform. Pull nozzle with thumb and forefinger, pull round disk of nozzle all the way to the bottom of lower locator.
4. Before closing cover, check to make sure round disc of nozzle is firmly in place at bottom of lower locator.
5. After Refill is properly placed, close the dispenser cover. LED indicator will blink GREEN/RED 3 times.
6. Place hand underneath dispenser, within 8 cm of sensor. LED will blink GREEN and dispense hand sanitizer into hand.

***To Reset: Open and close cover.**

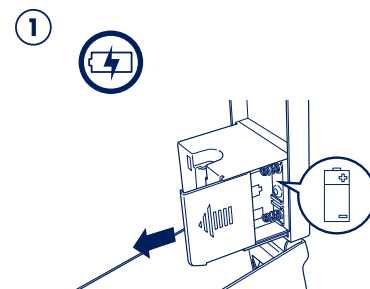


Sensitivity Adjustment: If sensor is too sensitive, remove black sticker that is covering Sensor Adjustment screw. Turn screw counterclockwise slightly. (i.e. like a dial on a clock, turn in 15 minute intervals to desired setting)

Installing Batteries

1. Open dispenser, locate battery compartment on the right side of the dispenser and slide cover forward, away from wall. Place (3) C-cell Alkaline batteries* in proper orientation and slide cover back into place.

**Batteries not included*



Manual Dispenser – Instructions

Opening Instructions

1. Opening Instructions: Push up on two release buttons on each side of base with thumb and forefinger. With other hand, gently pull cover away from wall at top of dispenser.

Mounting Instructions

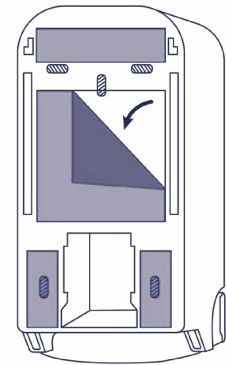
Screw Mounting (See Diagram Above)

1. Recommended for surfaces that are not ideal for tape mounting.
2. Hold dispenser against wall in desired position, open cover and mark screw hole location on wall, insuring screw heads will not interfere with release bar.

Tape Mounting (See Diagram Above)

1. Clean the flat surface with towelette and an abrasive cleanser prior to mounting. Dry surface thoroughly. Only recommended for mirrors or other similar flat surfaces.

Key:



3. Use appropriate anchors and drill size for #10 x 1" self-taping screws to attach dispenser firmly to the wall.
(For locking units – insert provided key into keyhole in right-hand release button and press upward; key must remain in keyhole while closing dispenser.)

2. Remove backing from tape and press firmly against mounting surface for 10 seconds. Open cover and press directly on back plate for additional 10 seconds.
Allow 8 hours before loading unit.

Refill Instructions

1. Press finger into perforated area and remove key-hole perforated shaped area.
2. Locate nozzle and pull down through bottom of the box.
3. Place cartridge on dispenser platform. Pull nozzle with thumb and forefinger to rotate top of tube so Arc of Half Moon Pump is facing toward you.
4. Place top of tube firmly in neck of upper locator and fit Ears of Half Moon Pump into lower locator slots.
5. Before closing the cover, check to make sure Arc of Half Moon Pump is facing toward you and Ears of Half Moon Pump are firmly seated in slots of lower locator.

